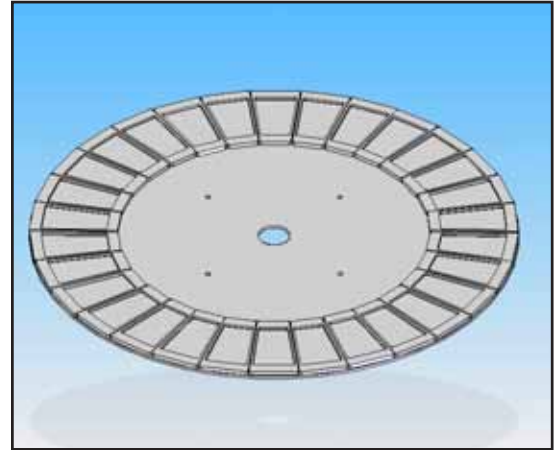


Radius, Inc.

AC-30 Assembly Carousel

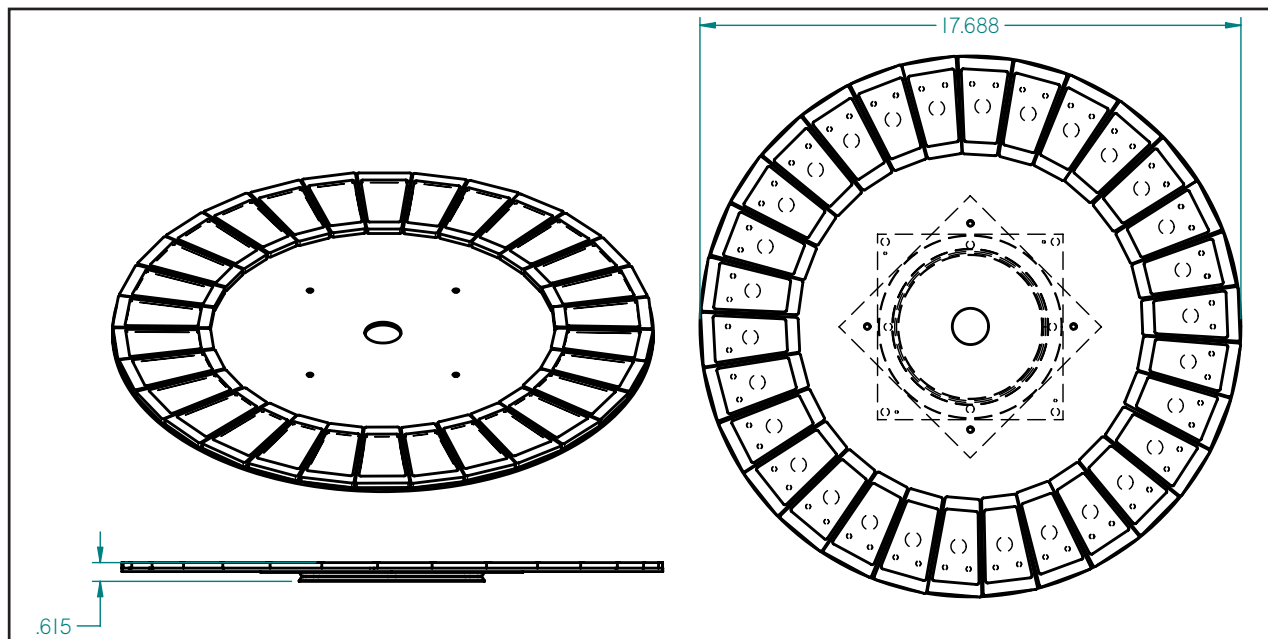
The AC-30 is an SMT assembly carousel which accepts the ESDTRAY-S/D assembly tray.

A lubricated ball bearing base ensures a smooth and quiet rotation. With a vertical height of only 0.615", the AC-30 lends itself well to desktop, surface mount, assembly applications.



* 30 storage trays included (15 single, 15 double)

Mechanical and Pin Diagram



PRODUCT ORDER INFORMATION

Part Number	Description
AC-30	30 Position Assembly Carousel

Contact Information:

Radius, Inc. / 1408 Center Avenue / Oostburg, WI 53070
Phone: 920-564-6622 / Fax: 920-564-6630 / Email: sales@radiusinc.com

Cost
\$495.00